



healthtec

Supporting you

1300 362 923

www.healthtec.com.au

EXAMINATION TABLES

GP3 Examination Table – All Electric

Designed to comply with RACGP recommendations this electric HI-LO examination table fulfils the basic requirements of any practice

The low minimum height of 450mm allows for easy access for elderly or incapacitated patients while the maximum height can quickly be achieved within seconds.

The electric operated backrest enables a comfortable seated or semi-reclined position while the leg section can be electrically adjusted between positive 30° tilt to negative 30° tilt within seconds to allow a greater range of clinical assessments and treatments.



Features

- Electric Height Adjustment with footswitch
- X-Frame Scissor Lift action minimises pinch and crush points
- Independently Lockable Castors for full mobility
- Durable powder coated rust resistant frame
- High quality anti-microbial vinyl & CFC free foam
- 5 year warranty on frame & electrics
- Australian designed & manufactured

Specifications

- 250kg Maximum Lifting Capacity (moving)
- 400kg Maximum Working Load (stationary)
- 450mm Minimum Height
- 950mm Maximum Height
- 710mm Table Width
- 2000mm Table Length
- Electric backrest adjustment +70°
- Electric legrest adjustment +30° to -30°



Available options:



5102 – Procedure Arm



5114 – Gynae Leg Supports



6017 - Paper Towel Roll Holder



The Healthtec Warranty

All Healthtec™ manufactured items are covered for defects in material or workmanship for 5 years from date of purchase. Original suppliers warranty applies.

TGA AR-00106892-6

© November 2013



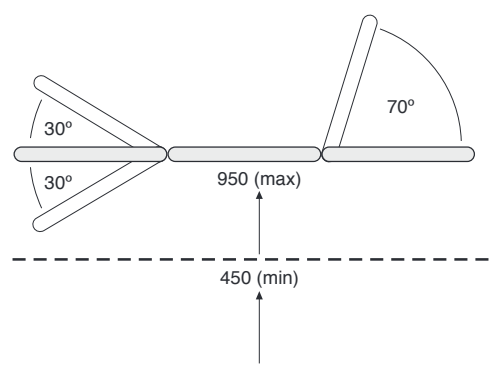
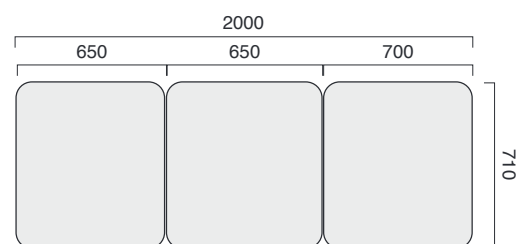
Supporting you

www.healthtec.com.au

PRICE SHEET

GP3 Examination Table – All Electric

Product Description	CODE	QTY
LynX GP3 Examination Table (710 wide) – All Electric w/castors	53661T-7AE	
Width Options		
770mm Width Option	-75	
Custom Width Option	6014	
Foam & Vinyl Options		
75mm Comfort Foam	6005	
Non-Stock Vinyl Option	6018	
Leather Upgrade	6008	
*please refer to our colour chart for vinyl colour options		
Nose Hole Options		
Nose Hole – Examination Backrest	6011-2	
Nose Hole Plug	6010	
Examination Options		
Procedure Arm	5102	
Gynae Leg Supports	5120	
Table Protection		
Paper Towel Roll Holder	6017	
Disposable Fitted Bed Sheet – 10 per pac	ANWFIT	
Extended Warranty		
10 years Electrics	7800	
Freight		
Freight charges are not included in our prices. Please contact your Healthtec representative for freight costs and options.		
Shipping Dimensions	2050mm x 850mm x 650mm	
Shipping Weight	80kg (approximately)	



FRECALL
1300 362 923
 info@healthtec.com.au

Healthtec Pty Ltd ABN 94 224 518 379 TGA AR-00106892-6
 © September 2013

Disclaimer: Due to our policy of constant product improvement, specifications may change without notice. Check with us for the latest specifications and pricing.